

AXOR Edge
Single-Hole Faucet 130, 1.2 GPM
 Finishes : Part no. : **46010001**



Features

- Spray modes: Aerated spray
- Flow: 1.2 GPM (4.5 L/Min)
- Ceramic cartridge
- Does not include: Pop-up assembly

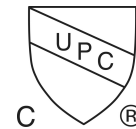
Item details

List Price \$ 1,621.00

Technology



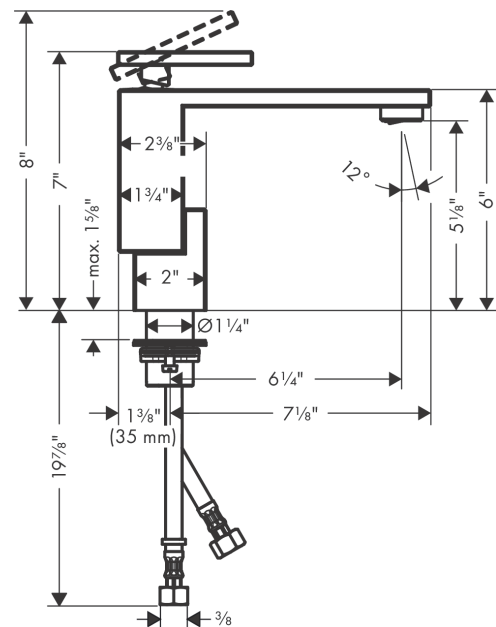
Compliance



Product image



Scale drawing

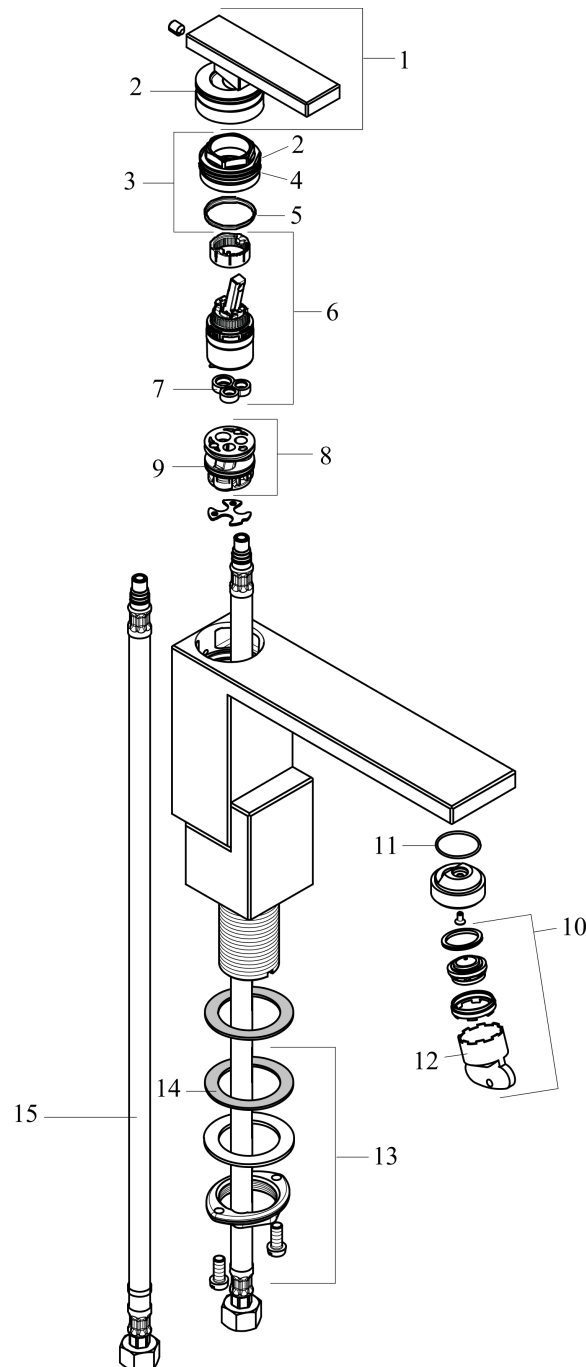


AXOR Edge
Single-Hole Faucet 130, 1.2 GPM
Finishes : Part no. : **46010001**



Exploded drawing

Year of production: >01/20



AXOR Edge
Single-Hole Faucet 130, 1.2 GPM
 Finishes : Part no. : **46010001**



Spare parts list

Year of production: >01/20

Pos.		Part no.	Price	PU
1	handle	93422000	-	1
2	O-ring 33x1,5	98164000	-	1
3	nut	92926000	-	1
4	O-ring 25x1,5	98146000	-	1
5	O-ring 30x1,5	98433000	-	1
6	O-ring 29x2	98391000	-	1
7	cartridge, assy	92900000	-	1
8	seal	93383000	-	1
9	adapter for cartridge	98866000	-	1
10	O-ring 23x2	98398000	-	1
11	aerator M24x1 (4,5 l/min)	93202000	-	1
12	O-ring 22x1,2	98397000	-	1
13	fixing set (Ø 32)	13961000	-	1
14	lever collar	97548000	-	1
15	connection hose 23½" M8x0,75 3/8"	98600001	-	1
16	service tool	95661000	-	1